

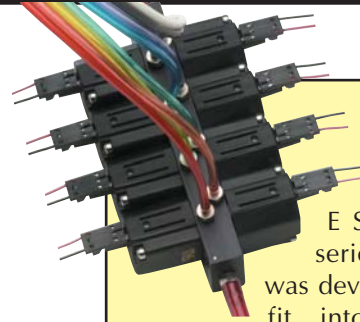
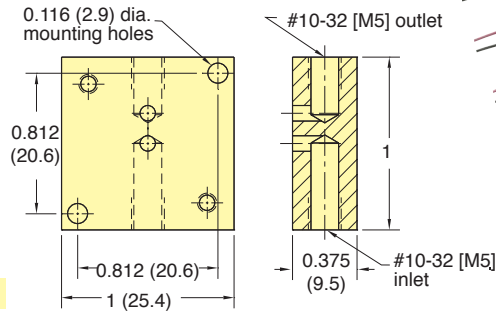


# ES, ESO SERIES VALVES SINGLE MANIFOLDS

## Single-Station Side Port Manifold



**Part No.** 26090-1  
**Description** Side Port Manifold

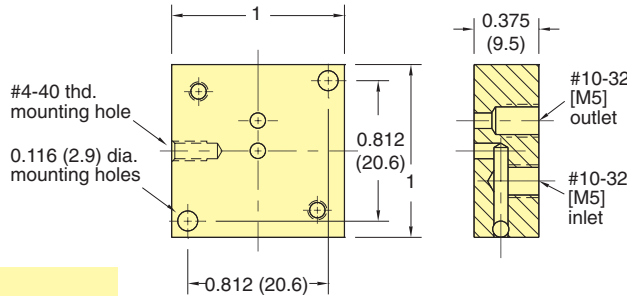


The ES/ESO series valve was developed to fit into tighter physical envelopes. By reducing the size of the base as well as the size of the coil, a considerable volume savings was achieved.

## Single-Station Bottom Port Manifold



**Part No.** 26090-2  
**Description** Bottom Port Manifold

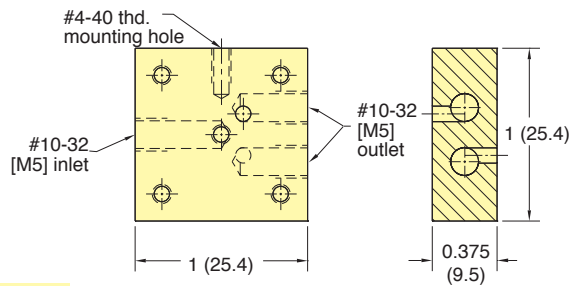


As in the case of the EV/EVO product, the ES/ESO uses the single moving part design proven many times in the EV/ET/EC series valves. Of course, given the reduced size of the coil the power to operate increases to 1 watt.

## Dual-Station Manifold

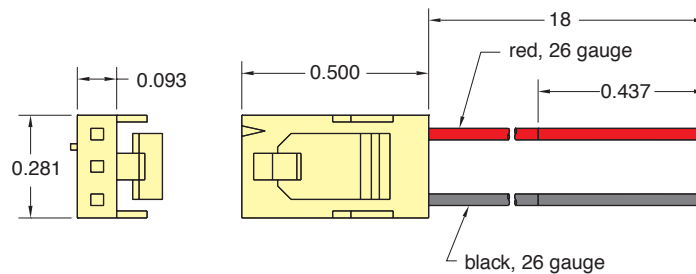


**Part No.** 26090-3  
**Description** Dual Station Manifold



Because of its reliability, the ES/ESO series valve is found in many of the same applications and industries as its predecessor, the EV/ET/EC. However, the smaller size finds it used more commonly in portable or mobile equipment. This makes the valve particularly applicable in home healthcare applications.

## AMP Connector #5-103960-2 with 18" Wire Leads for ES/ESO Valves



**Lead Set Chart For ES Valve**

Part No.	Used On	Wire Colors			Lead Length	Wire Gage
		Pin 1	Pin 2	Pin 3		
C3-RXB18	ES	red	~	black	18"	#26